

Reliability Measures for Solar Power Plant Employing Algebra of Logics

Dr. Deepankar Sharma

Prof., Dept of Maths, D.J. College of Engg & Tech, Modinagar

Brijesh Kumar

Research Scholar, Dr. K.N. Modi University, Newai, Rajasthan

Abstract: In this paper, the authors have considered a solar power system for its reliability analysis by using algebra of logics. In this system, there are two solar panels in standby redundancy. On failure of solar panel x_1 we can follow online solar panel x_2 with the help of perfect switching device x_3 . The authors have been used algebra of logics for the formulation and solution of mathematical model of solar power system. Reliability of the whole system has been obtained. Reliability function for the system as a whole has been computed in two different cases e.g., when failures follow Weibull and exponential time distribution. An important reliability parameter, mean time to system failure (M.T.T.F.), has also been obtained to improve practical utility of the model. A numerical computation together with its graphical illustration has been mentioned in the end to highlight important results of the study.

Keywords: Solar power generation plant, algebra of logics, Boolean function, reliability assessment, MTTF, exponential time distribution, Weibull distribution etc.

1. INTRODUCTION

In this study, the authors have considered a solar power system for its reliability analysis by using algebra of logics [2]. System configuration of considered system has been shown in fig-1. In this system, there are two solar panels in standby redundancy. On failure of solar panel x_1 we can follow online solar panel x_2 with the help of perfect switching device x_3 . These solar panels produce the solar energy and it can be saved in four batteries B_1, B_2, B_3 and B_4 . There are two automatic switching devices ASD₁ and ASD₂ to change the battery links. Batteries supply DC power to the sine-wave inverter x_{10} , that converts this DC power into AC power. Finally, this AC power feed the connected electric equipments. The cables used to connect any two

equipments are hundred percent reliable. Note that any one battery is sufficient to feed all the consumer requirements.

2. REVIEW & LITERATURE

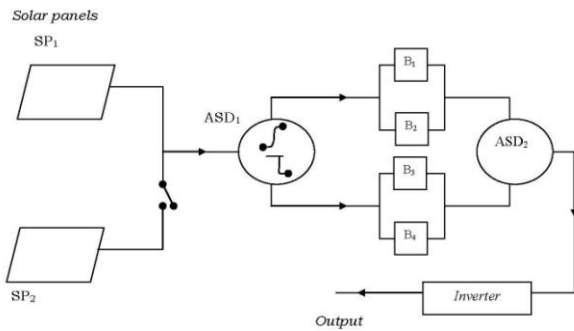
In the past studies [1-3], authors have used various techniques for reliability evaluation but Boolean function technique is the simplest one. In this technique, it is very easy to compute reliability of the system. The main thing is that, in this technique, we cannot take in to account the repair facility.

3. MATERIAL & METHODS

The authors have been used algebra of logics [2-3] for the formulation and solution of mathematical model of solar power system. Reliability of the whole system has been obtained. Reliability function for the system as a whole has been computed in two different cases e.g., when failures follow Weibull and exponential time distribution. An important reliability parameter, mean time to system failure (M.T.T.F.), has also been obtained to improve practical utility of the model. A numerical computation together with its graphical illustration has been mentioned in the end to highlight important results of the study.

The following assumptions have been associated with this model:

- (1) Initially, all the components are good and operable.
- (2) Reliability of every component of the system is known in advance.
- (3) Each component will remain either good or bad.
- (4) Transaction of power from one component to any other is 100% reliable.
- (5) Switching device used to online standby solar panel is perfect.
- (6) Failures are statistically-independent.



ASD: Automatic switching device; SP: Solar panel; B: Battery

Fig 1: System Configuration

Following notations have been used throughout this study:

- x_1, x_2 States of solar panels.
- x_3 State of switching device.
- x_5, x_6, x_7, x_8 States of batteries.
- x_4, x_9 States of automatic switching devices.
- x_{10} State of sine-wave inverter.
- x_i 0 in bad state, 1 in good state.
- \wedge / \vee Conjunction/disjunction.
- R_S Reliability of whole system.
- R_i Reliability corresponding to system state x_i .
- $R_{SW}(t) / R_{SE}(t)$ Reliability functions for whole system, in case failures follow weibull/exponential time distribution.
- $M.T.T.F.$ Mean time to failure.

4. RESULTS

4.1 Formulation of Mathematical Model

The possible minimal paths for successful operation of the system, in terms of logical matrix [3], can be expressed as:

$$F(x_1, x_2, \dots, x_{10}) = \begin{bmatrix} x_1 & x_4 & x_5 & x_9 & x_{10} \\ x_1 & x_4 & x_6 & x_9 & x_{10} \\ x_1 & x_4 & x_7 & x_9 & x_{10} \\ x_1 & x_4 & x_8 & x_9 & x_{10} \\ x_2 & x_3 & x_4 & x_5 & x_9 & x_{10} \\ x_2 & x_3 & x_4 & x_6 & x_9 & x_{10} \\ x_2 & x_3 & x_4 & x_7 & x_9 & x_{10} \\ x_2 & x_3 & x_4 & x_8 & x_9 & x_{10} \end{bmatrix} \dots(1)$$

4.2 Solution of the Model

We can write the equation (1) again as:

$$F(x_1, x_2, \dots, x_{10}) = |x_4 \ x_9 \ x_{10} \wedge f(x_1, x_2, \dots, x_{10})| \dots(2)$$

where,

$$f(x_1, x_2, \dots, x_{10}) = \begin{bmatrix} x_1 & x_5 \\ x_1 & x_6 \\ x_1 & x_7 \\ x_1 & x_8 \\ x_2 & x_3 & x_5 \\ x_2 & x_3 & x_6 \\ x_2 & x_3 & x_7 \\ x_2 & x_3 & x_8 \end{bmatrix} \dots(3)$$

Substituting

$$B_1 = [x_1 \ x_5] \dots(4)$$

$$B_2 = [x_1 \ x_6] \dots(5)$$

$$B_3 = [x_1 \ x_7] \dots(6)$$

$$B_4 = [x_1 \ x_8] \dots(7)$$

$$B_5 = [x_2 \ x_3 \ x_5] \dots(8)$$

$$B_6 = [x_2 \ x_3 \ x_6] \dots(9)$$

$$B_7 = [x_2 \ x_3 \ x_7] \dots(10)$$

$$B_8 = [x_2 \ x_3 \ x_8] \dots(11)$$

in equation (3) and using orthogonalization algorithm, we obtain:

$$f(x_1, x_2, \dots, x_{10}) = \begin{bmatrix} B_1 \\ B'_1 \ B_2 \\ B'_1 \ B'_2 \ B_3 \\ B'_1 \ B'_2 \ B'_3 \ B_4 \\ B'_1 \ B'_2 \ B'_3 \ B'_4 \ B_5 \\ B'_1 \ B'_2 \ B'_3 \ B'_4 \ B'_5 \ B_6 \\ B'_1 \ B'_2 \ B'_3 \ B'_4 \ B'_5 \ B'_6 \ B_7 \\ B'_1 \ B'_2 \ B'_3 \ B'_4 \ B'_5 \ B'_6 \ B'_7 \ B_8 \end{bmatrix} \dots(12)$$

Now we can obtain by using algebra of logics

$$B'_1 = \begin{bmatrix} x'_1 \\ x_1 \quad x'_5 \end{bmatrix}$$

$$\begin{aligned} \therefore B'_1 B'_2 &= \begin{bmatrix} x'_1 \\ x_1 \quad x'_5 \end{bmatrix} \wedge [x_1 \quad x_6] \\ &= [x_1 \quad x'_5 \quad x_6] \end{aligned} \quad \dots(13)$$

Similarly, we compute the following:

$$B'_1 B'_2 B'_3 = [x_1 \quad x'_5 \quad x'_6 \quad x_7] \quad \dots(14)$$

$$B'_1 B'_2 B'_3 B'_4 = [x_1 \quad x'_5 \quad x'_6 \quad x'_7 \quad x_8] \dots(15)$$

$$B'_1 B'_2 B'_3 B'_4 B'_5 = [x'_1 \quad x_2 \quad x_3 \quad x_5] \quad \dots(16)$$

$$B'_1 B'_2 B'_3 B'_4 B'_5 B'_6 = [x'_1 \quad x_2 \quad x_3 \quad x'_5 \quad x'_6] \dots(17)$$

$$B'_1 B'_2 B'_3 B'_4 B'_5 B'_6 B'_7 = [x'_1 \quad x_2 \quad x_3 \quad x'_5 \quad x'_6 \quad x_7] \dots(18)$$

and

$$B'_1 B'_2 B'_3 B'_4 B'_5 B'_6 B'_7 B'_8 = [x'_1 \quad x_2 \quad x_3 \quad x'_5 \quad x'_6 \quad x'_7 \quad x_8] \dots(19)$$

Making use of equations (4) and (13) through (19), equation (12) becomes:

$$f(x_1, x_2, \dots, x_{10}) = \begin{bmatrix} x_1 \quad x_5 \\ x_1 \quad x'_5 \quad x_6 \\ x_1 \quad x'_5 \quad x'_6 \quad x_7 \\ x_1 \quad x'_5 \quad x'_6 \quad x'_7 \quad x_8 \\ x'_1 \quad x_2 \quad x_3 \quad x_5 \\ x'_1 \quad x_2 \quad x_3 \quad x'_5 \quad x_6 \\ x'_1 \quad x_2 \quad x_3 \quad x'_5 \quad x'_6 \quad x_7 \\ x'_1 \quad x_2 \quad x_3 \quad x'_5 \quad x'_6 \quad x'_7 \quad x_8 \end{bmatrix} \dots(20)$$

Using (20), equation (2) gives:

$$F(x_1, x_2, \dots, x_{10}) = \begin{bmatrix} x_1 \quad x_4 \quad x_5 \quad x_9 \quad x_{10} \\ x_1 \quad x_4 \quad x'_5 \quad x_6 \quad x_9 \quad x_{10} \\ x_1 \quad x_4 \quad x'_5 \quad x'_6 \quad x_7 \quad x_9 \quad x_{10} \\ x_1 \quad x_4 \quad x'_5 \quad x'_6 \quad x'_7 \quad x_8 \quad x_9 \quad x_{10} \\ x'_1 \quad x_2 \quad x_3 \quad x_4 \quad x_5 \quad x_9 \quad x_{10} \\ x'_1 \quad x_2 \quad x_3 \quad x_4 \quad x'_5 \quad x_6 \quad x_9 \quad x_{10} \\ x'_1 \quad x_2 \quad x_3 \quad x_4 \quad x'_5 \quad x'_6 \quad x_7 \quad x_9 \quad x_{10} \\ x'_1 \quad x_2 \quad x_3 \quad x_4 \quad x'_5 \quad x'_6 \quad x'_7 \quad x_8 \quad x_9 \quad x_{10} \end{bmatrix} \dots(21)$$

Since, R.H.S. of equation (21) is disjunction of pair-wise disjoint conjunctions, therefore, the reliability of whole solar system is given by:

$$R_S = P_r \{F(x_1, x_2, \dots, x_{10}) = 1\}$$

$$= R_4 R_9 R_{10} [R_1 R_5 + Q_5 R_1 R_6 + Q_5 Q_6 R_1 R_7 + Q_5 Q_6 Q_7 R_1 R_8 + Q_1 R_2 R_3 R_5 + Q_1 Q_5 R_2 R_3 R_6 + Q_1 Q_5 Q_6 R_2 R_3 R_7 + Q_1 Q_5 Q_6 Q_7 R_2 R_3 R_8]$$

where

R_i = reliability of the component corresponding to system state x_i

and $Q_i = 1 - R_i$

Thus, we may write

$$\begin{aligned} R_S &= R_4 R_9 R_{10} [R_1 R_5 + R_1 R_6 + R_1 R_7 + R_1 R_8 + R_2 R_3 R_5 + R_2 R_3 R_6 + R_2 R_3 R_7 + R_2 R_3 R_8 \\ &+ R_1 R_5 R_6 R_7 + R_1 R_5 R_6 R_8 + R_1 R_5 R_7 R_8 + R_1 R_6 R_7 R_8 + R_1 R_2 R_3 R_5 R_6 \\ &+ R_1 R_2 R_3 R_5 R_7 + R_1 R_2 R_3 R_6 R_7 + R_2 R_3 R_5 R_6 R_7 + R_1 R_2 R_3 R_5 R_8 \\ &+ R_1 R_2 R_3 R_6 R_8 + R_1 R_2 R_3 R_7 R_8 + R_2 R_3 R_5 R_6 R_8 + R_2 R_3 R_5 R_7 R_8 \\ &+ R_2 R_3 R_6 R_7 R_8 + R_1 R_2 R_3 R_5 R_6 R_7 R_8 - R_1 R_5 R_6 - R_1 R_5 R_7 \\ &- R_1 R_6 R_7 - R_1 R_5 R_8 - R_1 R_6 R_8 - R_1 R_7 R_8 - R_1 R_2 R_3 R_5 - R_1 R_2 R_3 R_6 \\ &- R_2 R_3 R_5 R_6 - R_1 R_2 R_3 R_7 - R_2 R_3 R_5 R_7 - R_2 R_3 R_6 R_7 - R_1 R_2 R_3 R_8 \\ &- R_2 R_3 R_5 R_8 - R_2 R_3 R_6 R_8 - R_2 R_3 R_7 R_8 - R_1 R_5 R_6 R_7 R_8 - R_1 R_2 R_3 R_5 R_6 R_7 \\ &- R_1 R_2 R_3 R_5 R_6 R_8 - R_1 R_2 R_3 R_5 R_7 R_8 - R_1 R_2 R_3 R_6 R_7 R_8 - R_2 R_3 R_5 R_6 R_7 R_8] \end{aligned} \dots(22)$$

4.3 Some Particular Cases

CASE I: When each component has the reliability R:

In this case, the reliability of the whole system can be obtained from equation (22),

$$R_S = 4R^5 - 2R^6 - 6R^7 + 9R^8 - 5R^9 + R^{10} \quad \dots(23)$$

CASE II: When failure rates follow weibull time distribution:

In this case, the reliability of the whole system is given by:

$$R_{sw}(t) = \sum_{i=1}^{23} \exp\{-a_i t^\alpha\} - \sum_{j=1}^{22} \exp\{-b_j t^\alpha\} \quad \dots(24)$$

where α is a real positive parameter and

$$a_1 = c + \lambda_1 + \lambda_5$$

$$a_2 = c + \lambda_1 + \lambda_6$$

$$a_3 = c + \lambda_1 + \lambda_7$$

$$a_4 = c + \lambda_1 + \lambda_8$$

$$a_5 = c + \lambda_2 + \lambda_3 + \lambda_5$$

$$a_6 = c + \lambda_2 + \lambda_3 + \lambda_6$$

$$a_7 = c + \lambda_2 + \lambda_3 + \lambda_7$$

$$a_8 = c + \lambda_2 + \lambda_3 + \lambda_8$$

$$a_9 = c + \lambda_1 + \lambda_5 + \lambda_6 + \lambda_7$$

$$a_{10} = c + \lambda_1 + \lambda_5 + \lambda_6 + \lambda_8$$

$$a_{11} = c + \lambda_1 + \lambda_5 + \lambda_7 + \lambda_8$$

$$a_{12} = c + \lambda_1 + \lambda_6 + \lambda_7 + \lambda_8$$

$$a_{13} = c + \lambda_1 + \lambda_2 + \lambda_3 + \lambda_5 + \lambda_6$$

$$a_{14} = c + \lambda_1 + \lambda_2 + \lambda_3 + \lambda_5 + \lambda_7$$

$$a_{15} = c + \lambda_1 + \lambda_2 + \lambda_3 + \lambda_6 + \lambda_7$$

$$a_{16} = c + \lambda_2 + \lambda_3 + \lambda_5 + \lambda_6 + \lambda_7$$

$$a_{17} = c + \lambda_1 + \lambda_2 + \lambda_3 + \lambda_5 + \lambda_8$$

$$a_{18} = c + \lambda_1 + \lambda_2 + \lambda_3 + \lambda_6 + \lambda_8$$

$$a_{19} = c + \lambda_1 + \lambda_2 + \lambda_3 + \lambda_7 + \lambda_8$$

$$a_{20} = c + \lambda_2 + \lambda_3 + \lambda_5 + \lambda_6 + \lambda_8$$

$$a_{21} = c + \lambda_2 + \lambda_3 + \lambda_5 + \lambda_7 + \lambda_8$$

$$a_{22} = c + \lambda_2 + \lambda_3 + \lambda_6 + \lambda_7 + \lambda_8$$

$$a_{23} = c + \lambda_1 + \lambda_2 + \lambda_3 + \lambda_5 + \lambda_6 + \lambda_7 + \lambda_8$$

$$b_1 = c + \lambda_1 + \lambda_5 + \lambda_6$$

$$b_2 = c + \lambda_1 + \lambda_5 + \lambda_7$$

$$b_3 = c + \lambda_1 + \lambda_6 + \lambda_7$$

$$b_4 = c + \lambda_1 + \lambda_5 + \lambda_8$$

$$b_5 = c + \lambda_1 + \lambda_6 + \lambda_8$$

$$b_6 = c + \lambda_1 + \lambda_7 + \lambda_8$$

$$b_7 = c + \lambda_1 + \lambda_2 + \lambda_3 + \lambda_5$$

$$b_8 = c + \lambda_1 + \lambda_2 + \lambda_3 + \lambda_6$$

$$b_9 = c + \lambda_2 + \lambda_3 + \lambda_5 + \lambda_6$$

$$b_{10} = c + \lambda_1 + \lambda_2 + \lambda_3 + \lambda_7$$

$$b_{11} = c + \lambda_2 + \lambda_3 + \lambda_5 + \lambda_7$$

$$b_{12} = c + \lambda_2 + \lambda_3 + \lambda_6 + \lambda_7$$

$$b_{13} = c + \lambda_1 + \lambda_2 + \lambda_3 + \lambda_8$$

$$b_{14} = c + \lambda_2 + \lambda_3 + \lambda_5 + \lambda_8$$

$$b_{15} = c + \lambda_2 + \lambda_3 + \lambda_6 + \lambda_8$$

$$b_{16} = c + \lambda_2 + \lambda_3 + \lambda_7 + \lambda_8$$

$$b_{17} = c + \lambda_1 + \lambda_5 + \lambda_6 + \lambda_7 + \lambda_8$$

$$b_{18} = c + \lambda_1 + \lambda_2 + \lambda_3 + \lambda_5 + \lambda_6 + \lambda_7$$

$$b_{19} = c + \lambda_1 + \lambda_2 + \lambda_3 + \lambda_5 + \lambda_6 + \lambda_8$$

$$b_{20} = c + \lambda_1 + \lambda_2 + \lambda_3 + \lambda_5 + \lambda_7 + \lambda_8$$

$$b_{21} = c + \lambda_1 + \lambda_2 + \lambda_3 + \lambda_6 + \lambda_7 + \lambda_8$$

$$b_{22} = c + \lambda_2 + \lambda_3 + \lambda_5 + \lambda_6 + \lambda_7 + \lambda_8$$

and $c = \lambda_4 + \lambda_9 + \lambda_{10}$

where λ_i is the failure rate of system state $x_i, \forall i = 1, 2, \dots, 10$

CASE III: When failures follow exponential time distribution:

Exponential time distribution is the particular case of weibull time distribution for $\alpha = 1$ and is very useful in numerous practical problems. Therefore the reliability function for the whole system at any time 't', in this case, is given by:

$$R_{SE}(t) = \sum_{i=1}^{23} \exp\{-a_i t\} - \sum_{j=1}^{22} \exp\{-b_j t\} \quad \dots(25)$$

where a_i 's and b_j 's have been mentioned earlier.

Also, in this case, an important reliability parameter M.T.T.F, is given by

$$M.T.T.F. = \int_0^{\infty} R_{SE}(t) dt$$

$$= \sum_{i=1}^{23} \frac{1}{a_i} - \sum_{j=1}^{22} \frac{1}{b_j} \quad \dots(26)$$

5. NUMERICAL COMPUTATION

For a numerical computation, let us consider the values:

- (i) $\lambda_i (i = 1, 2, \dots, 10) = \lambda = 0.001, t = 0, 1, 2, \dots$
and $\alpha = 2$. Using these values in equation (24),

we compute the table-1. The corresponding graph has been shown in fig-2.

(ii) $\lambda_i (i = 1,2,3 \dots 10) = \lambda = 0.001$, and $t = 0,1,2 \dots$.

Using these values in equation (25), we compute the table-1 and the corresponding graph has been shown in fig-2.

(iii) Putting

$\lambda_i (i = 1,2,3 \dots 10) = \lambda = 0.001, 0.002 \dots 0.01$ in equation (26), we compute table-2 and its graphical reorientation has been shown in fig-3.

6. DISCUSSION

Analysis of table-1 and fig-2 reveals that values of reliability function decreases catastrophically, in case, failures follow weibull time distribution but it decreases approximately in constant manner for exponential time distribution. Therefore, reliability function remains better when failures follow exponential time distribution.

A critical examination of table -2 and fig-3 concludes that M.T.T.F. decreases rapidly for the lower values of failure rate λ but it decreases smoothly for higher values of λ .

Table 1: computes reliability at different time points

t	$R_{SW}(t)$	$R_{SE}(t)$
0	1	1
1	0.997003	0.997003
2	0.988040	0.994010
3	0.973206	0.991023
4	0.952657	0.988040
5	0.926626	0.985063
6	0.895421	0.982091
7	0.859436	0.979124
8	0.819147	0.976162
9	0.775117	0.973206
10	0.727979	0.970254

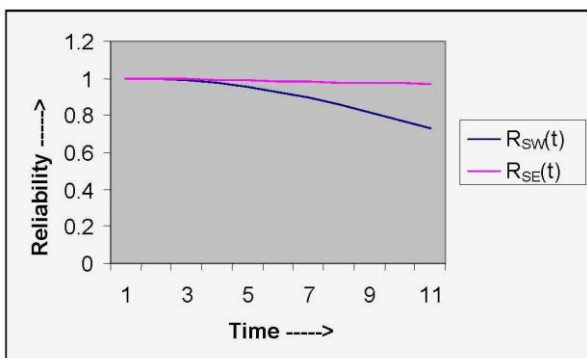


Fig 2: Represents reliability vs time

Table-2: computes MTTF at different failure rates

λ	M.T.T.F.
0	∞
0.001	278.9683
0.002	139.4841
0.003	92.9894
0.004	69.7421
0.005	55.7937
0.006	46.4947
0.007	39.8526
0.008	34.8710
0.009	30.9965
0.010	27.8968

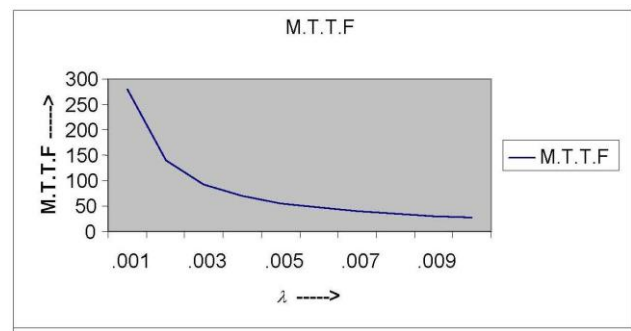


Fig 3: Represents MTTF Vs failure rates

7. SUMMARY AND CONCLUSION

In this paper, the authors have considered a solar power system for its reliability analysis by using algebra of logics. Reliability of the whole system has been obtained. Reliability function for the system as a whole has been computed in two different cases e.g., when failures follow Weibull and exponential time distribution. An important reliability parameter, mean time to system failure (M.T.T.F.), has also been obtained to improve practical utility of the model. A numerical computation together with its graphical illustration has been mentioned in the end to highlight important results of the study. Analysis of numerical computation reveals that values of reliability function decreases catastrophically, in case, failures follow weibull time distribution but it decreases approximately in constant manner for exponential time distribution. Therefore, reliability function remains better when failures follow exponential time distribution.

In this paper, the results obtained for reliability and MTTF are much better than of earlier research [2-5] on the topic.

REFERENCES

- [1] Cluzeau, T.; Keller, J.; Schneeweiss, W. (2008): "An Efficient Algorithm for Computing the Reliability of Consecutive-k-Out-Of-n:F Systems", IEEE TR. on Reliability, Vol.57 (1), 84-87.
- [2] Gupta P.P., Agarwal S.C. (1983): "A Boolean Algebra Method for Reliability Calculations", Microelectron. Reliability, Vol.23, 863-865.
- [3] Lai C.D., Xie M., Murthy D.N.P.(2005): "On Some Recent Modifications of Weibull Distribution", IEEE TR. on Reliability, Vol.54 (4), 563-569.
- [4] Pandey,D; Jacob , Mendus 1995: " cost analysis ,availability and MTTF of a three state standby complex system under common-cause and human failures" , Microelectronic . Reliab., U.K, vol. 35, 91-95.
- [5] Zhimin He., Han T.L., Eng H.O.(2005): "A Probabilistic Approach to Evaluate the Reliability of Piezoelectric Micro-Actuators", IEEE TR. on Reliability, Vol.54 (1), 44-49